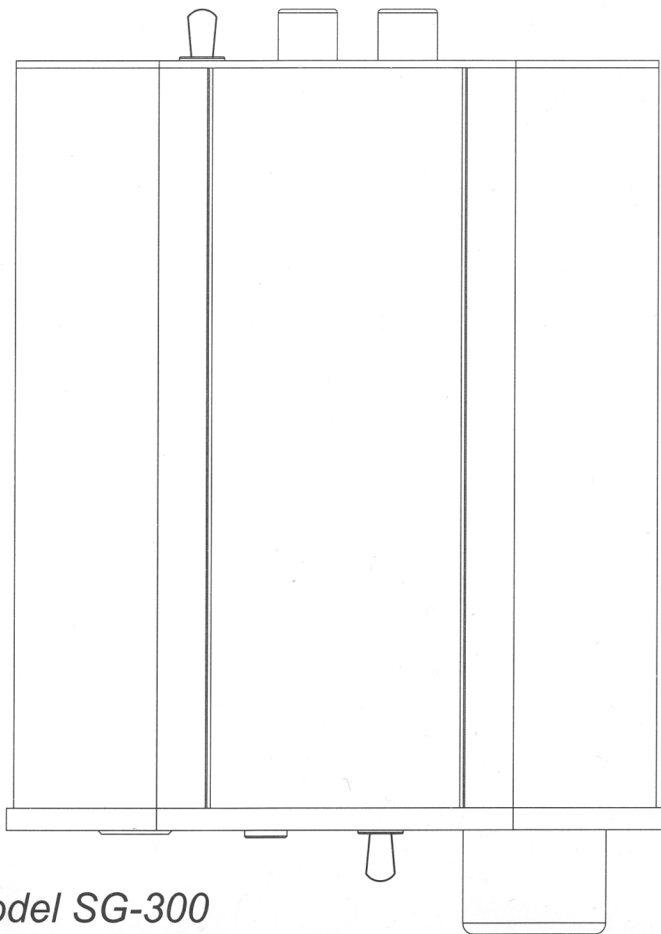


Racoon NEW CLASSIC



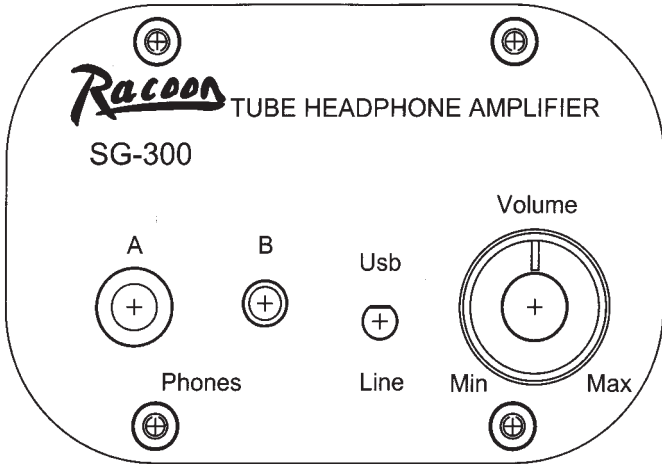
Model SG-300

Tube Headphone Amplifier

OWNER'S GUIDE

Raccoon

Model SG-300 Tube Headphone Amplifier



Phones A or B:

Outputs to Stereo Headphones 8 - 1000Ω.

Zout = 10Ω.

Note On Obtaining More Outputs:

For additional headphone outputs, you can standard "Y" adapters to split two headphones.

Input Select:

Usb or Line, this switch lets you choose which input type you are to use.

Volume:

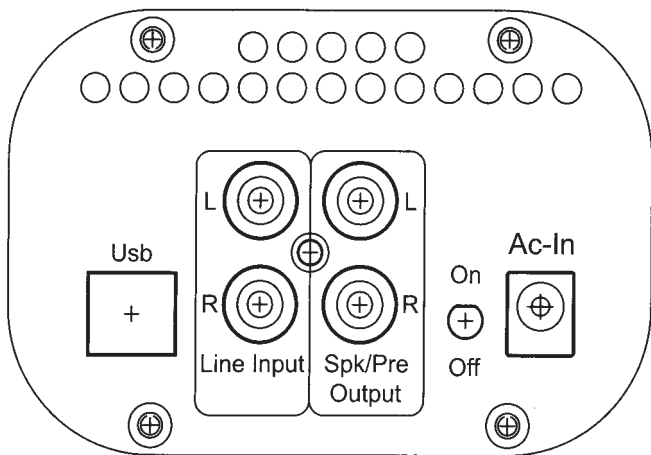
This control adjust headphone amplifier to allow the desired listening volume. The volume can get very loud, so start with a low setting.



Model SG-300 Tube Headphone Amplifier

Please be sure to turn down the volume before plugging in your headphones or playing any audio source.

The large available headroom of your SG-300 makes high volume level with low distortion possible. Ear protection is your personal responsibility at all times. Always start with a low volume and adjust it for comfort.



USB Connector:

Connect the USB output of a compatible computer to this jack for high fidelity playback.

USB:

Use a "fast USB" cable to connect a compatible USB-enabled source component to the SG-300's rear panel USB 2.0 input.



Model SG-300 Tube Headphone Amplifier

Line Inputs:

Connect the analog audio output of your CD or DVD to these jacks. Using shielded RCA-to-RCA cable, connect your CD or DVD player's analog audio outputs to the SG-300's Line inputs. As with other sources, make sure to connect Left to Left and Right to Right.

Pre-Out:

Preamplifier outputs, these outputs allow you to connect a high output power amplifier if needed. The preamp outputs to the inputs of the additional amplifier.

Power Switch (On/Off):

When the power cord has been plugged into an AC output, put this switch in the on position to connect the receiver to AC. When this switch is on, the tube headphone amplifier will work, the tube will light and the tube position's blue LED will light.

Ac In:

Caution: 12V AC Sources Only. At least 5 Watts capacity is required. DC input may damage your SG-300 and possibly your headphones. The warranty does not cover damage caused by an improper power supply. Barrel Size: 2.1mm x 5.5mm

Specifications:

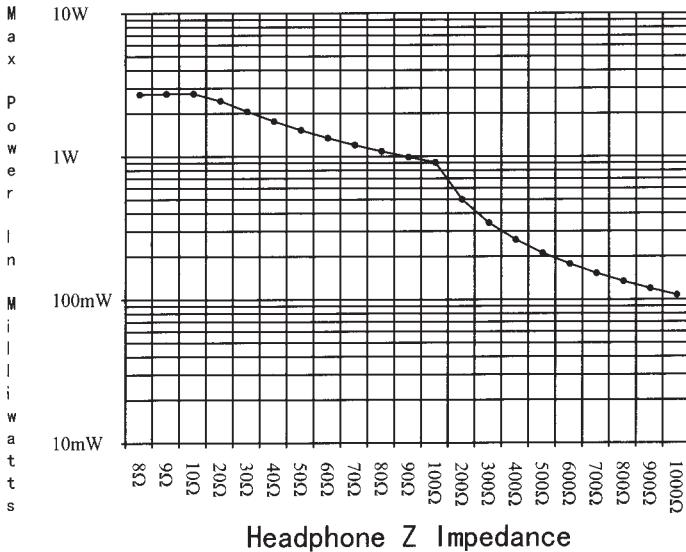
- Input Z: Line Input 15K Ω
- Output Z: 10 Ω
- Line Input Sensitivity: 400mV \pm 50mV



Model SG-300 Tube Headphone Amplifier

- Frequency Response: 9Hz-160KHz -3dB 30Hz-30KHz 0dB
- SNR (Typical) : >=90dB
- Inter-Channel Crosstalk : >55dB, 1KHz
- THD+N, 1KHz: < 0.3%, 100mW into 25Ω
- SMPTE IMD: < 0.3%, 100mW into 25Ω
- Net Weight: 0.5Kg
- Dimensions: L104mm x W92mm x H62mm
- External Power: 12VAC, 1000mA, 5.5mm x 2.1mm Power Jack

Output Power vs Load Impedance Chart per channel



- Usable Headphone Impedance Range: 8Ω to 1KΩ



Model SG-300 Tube Headphone Amplifier

SG-300 Block Diagram

